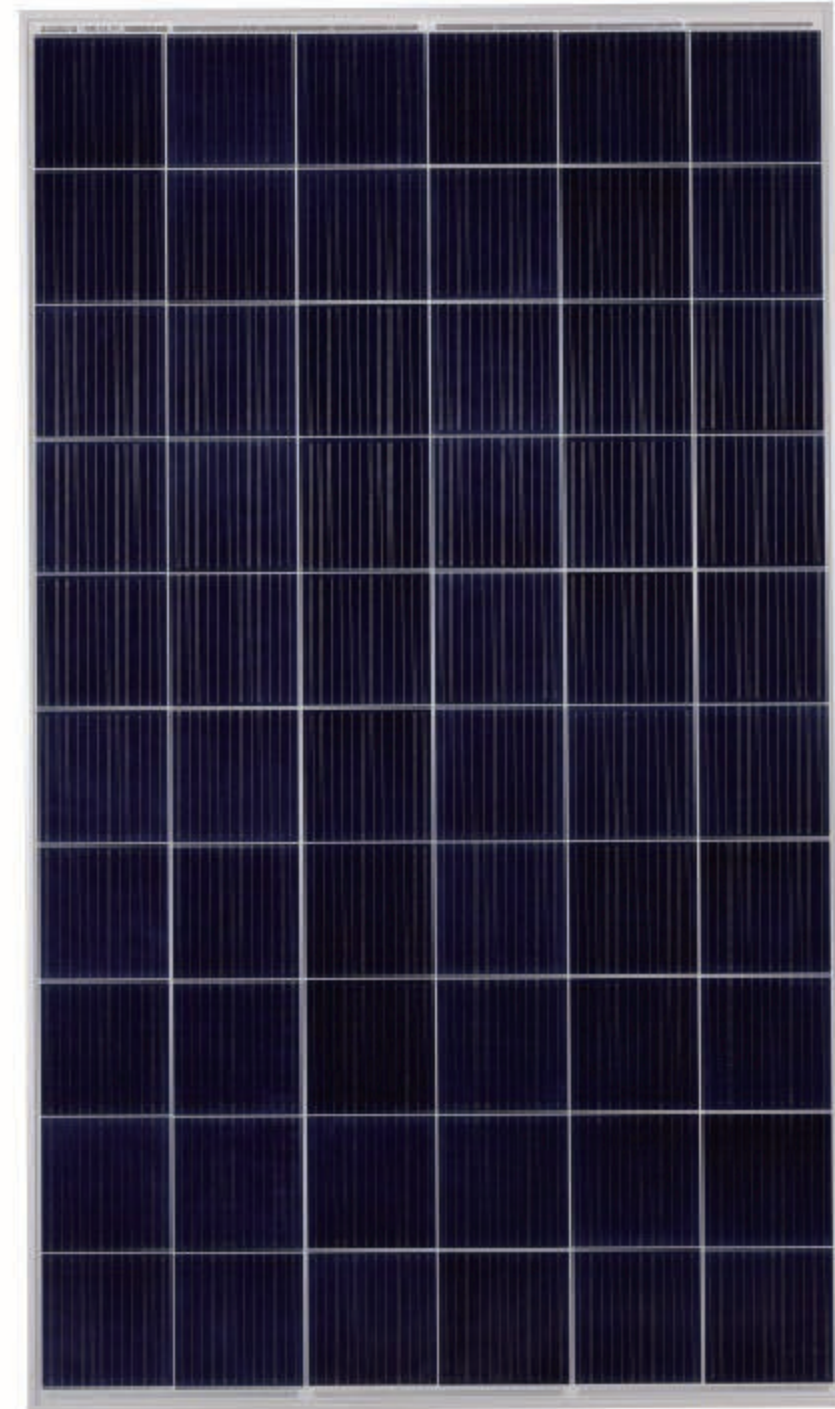


For Global Market



Maysun Solar

Polycrystalline PV Module

MS(260-290)P-60 Series

- ▶ High PID resist performance
- ▶ Excellent low light performance with advanced surface texturing and back surface field.
- ▶ Multi-busbar design decreases the risk of the cell micro-cracks and fingers broken.
- ▶ Lower series resistance/improved light harvesting enable high conversion efficiency and more power output.

System voltage 1000V/1500V standard EN

260	270	275	280	285	290
-----	-----	-----	-----	-----	-----

ELECTRICAL SPECIFICATIONS

STC rated output (P _{mpp})*	260 Wp	270 Wp	275 Wp	280 Wp	285 Wp	290 Wp
PV Module size	1650*992*35 MM					
Standard sorted output						
Warranted power output STC (P _{nominal})	260 Wp	270 Wp	275 Wp	280 Wp	285 Wp	290 Wp
Rated voltage (V _{mpp}) at STC	30.88 V	31.08 V	31.12 V	31.16 V	31.50 V	31.71 V
Rated current (I _{mpp}) at STC	8.43 A	8.70 A	8.85 A	8.99 A	9.05 A	9.15 A
Open circuit voltage (V _{oc}) at STC	37.72 V	38.00 V	38.45 V	38.85 V	38.70 V	39.05 V
Short circuit current (I _{sc}) at STC	8.95A	9.45 A	9.52 A	9.67 A	9.72 A	9.87 A
Module efficiency	16.0%	16.6%	16.9%	17.2%	17.5%	17.9%
Rated output (P _{mpp}) at NOCT	195.0 Wp	202.5 Wp	206.3 Wp	210.1 Wp	216.3 Wp	220.6 Wp
Rated voltage (V _{mpp}) at NOCT	27.94 V	28.12 V	28.15 V	28.17 V	28.75 V	28.17 V
Rated current (I _{mpp}) at NOCT	6.98 A	7.20 A	7.33 A	7.46 A	7.53 A	7.76 A
Open circuit voltage (V _{oc}) at NOCT	34.46 V	34.71 V	35.13 V	35.16 V	35.53 V	35.76 V
Short circuit current (I _{sc}) at NOCT	7.54 A	7.96 A	8.02 A	8.09 A	8.12 A	8.19 A

Temperature coefficient (P _{mpp})	- 0.407%/K	Maximum system voltage (IEC)	1000V _{dc} / 1500V _{dc}
Temperature coefficient (I _{sc})	+0.049%/K	Number of diodes	3
Temperature coefficient (I _{mpp})	- 0.000%/K	Maximum series fuse rating	15 A
Temperature coefficient (V _{mpp})	- 0.408%/K		
Temperature coefficient (V _{oc})	- 0.310%/K		
Normal operating cell temperature (NOCT)	43±2°C		

* Measurement tolerance +/- 3%



RELATED PARAMETERS

Cell type	Polycrystalline
Number of cells / cell arrangement	60 / 6 x10
Cells dimension	6"
Packing unit	30 modules
Weight of packing unit (for container)	557 kg / 1228 lbs

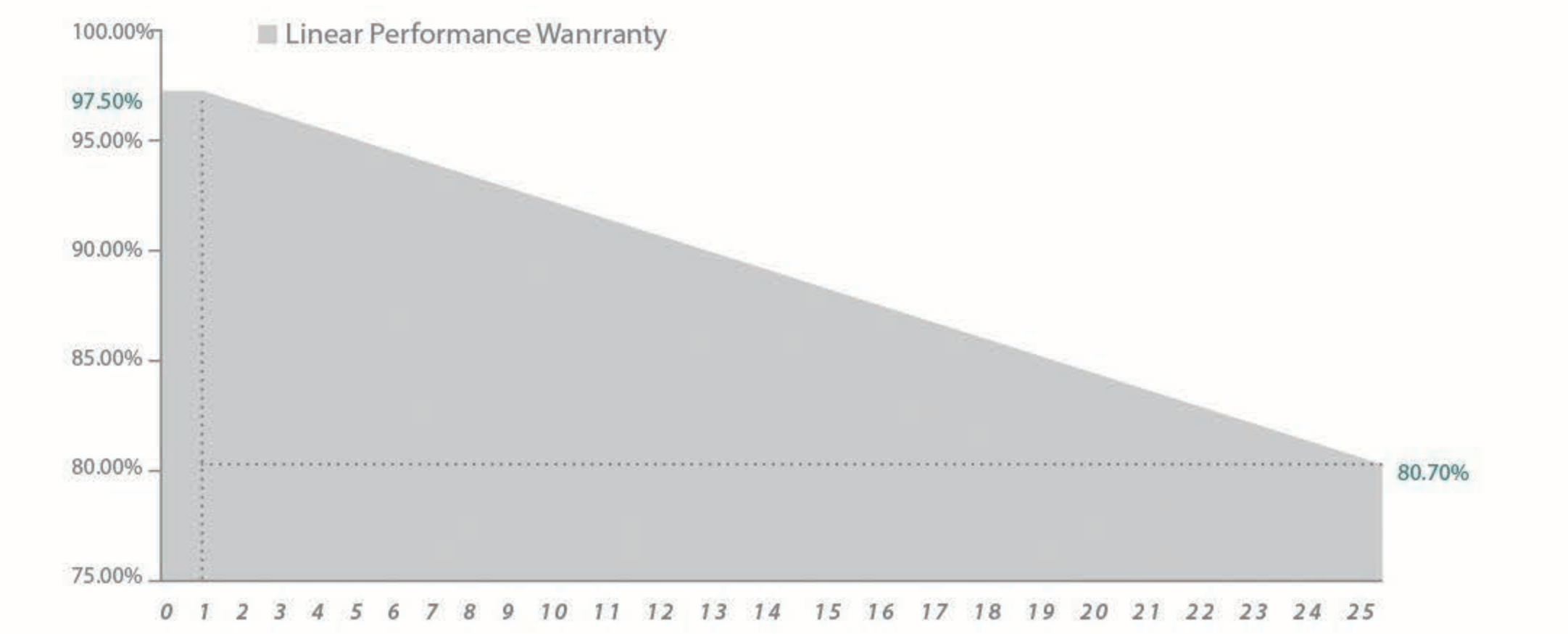
MECHANICAL SPECIFICATIONS

Outer dimensions (L x W x H)	1650 x 992 x 35 mm 64.96 x 39.06 x 1.38 in
Frame technology	Aluminum, silver anodized
Module composition	Glass / EVA / Backsheet (white)
Weight (module only)	18 kg / 39.68 lbs
Front glass thickness	3.2 mm / 0.13 in
Junction box IP rating	IP 65/67
① Cable length(IEC)	600/900 mm / 23.62/35.43 in
Cable diameter (IEC)	12 AWG /4 mm ²
② Maximum load capacity	5400 Pa
Fire performance (IEC)	Class C
Connector type (IEC)	MC4 compatible

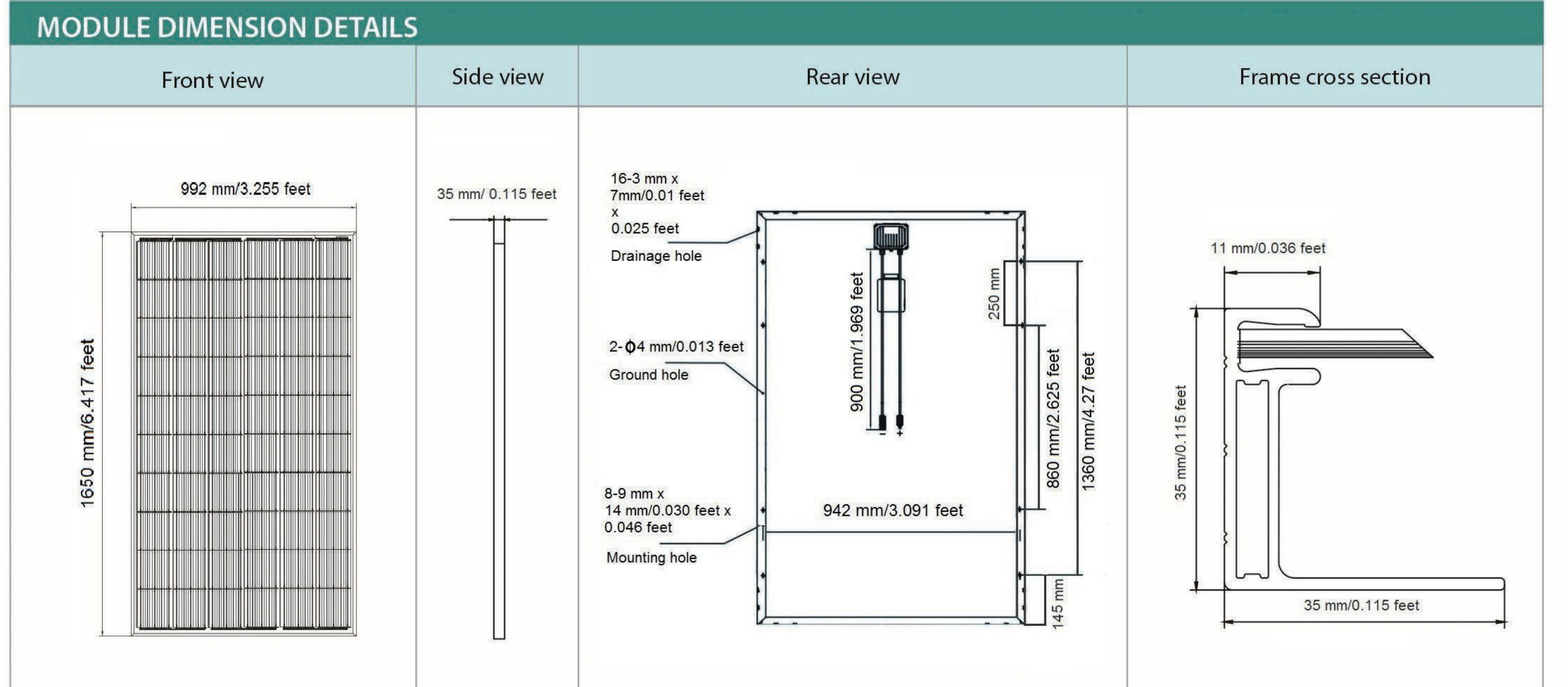
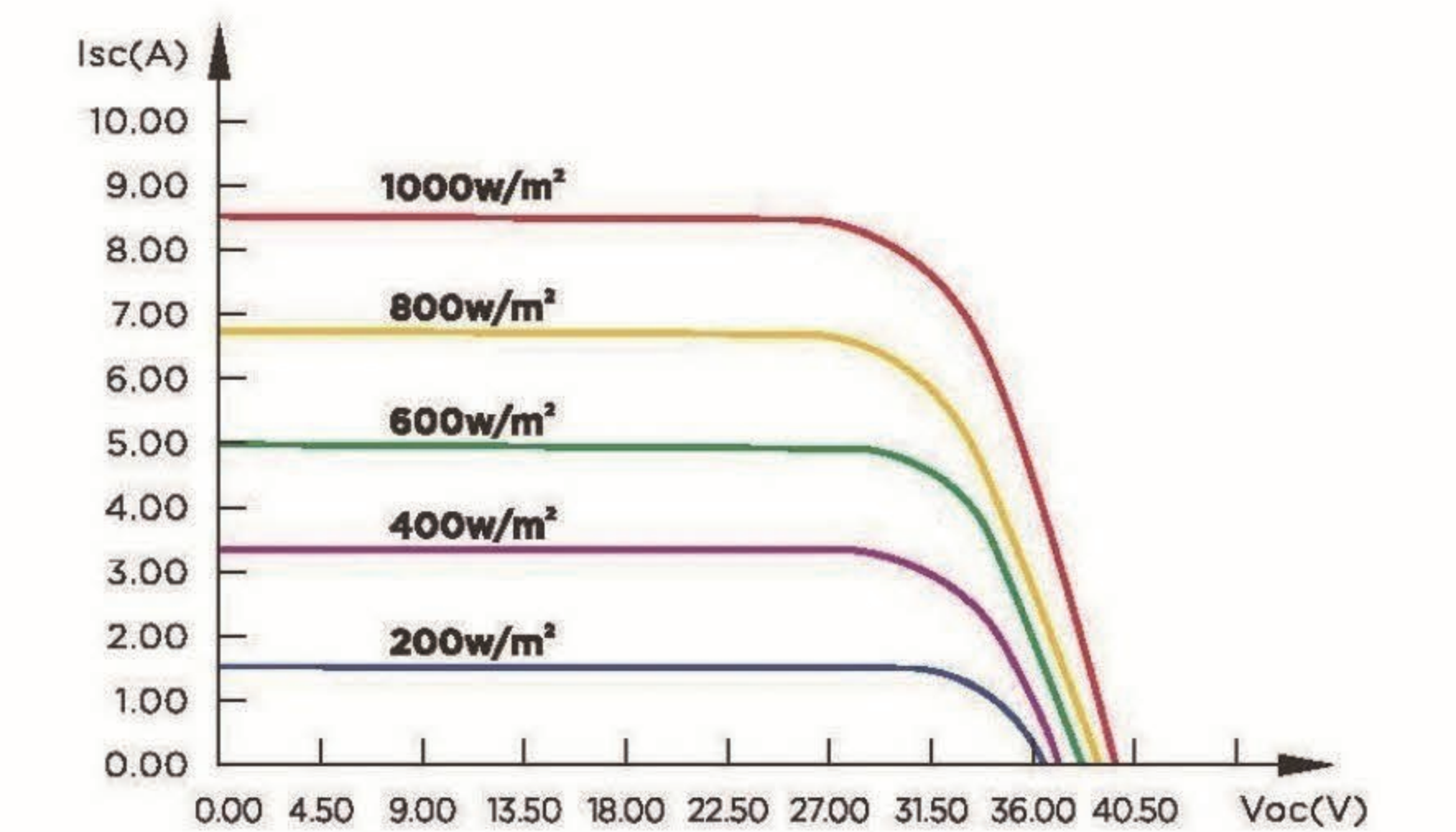
Refer to Maysun Solar crystalline installation manual.

QUALIFICATION AND LINEAR WARRANTIES

Product standard	IEC61215, 61730
Extended product warranty	12 years
Output decline 3%/year performance P _{mpp} (STC)	1 st year
Output decline 0.7%/year performance P _{mpp} (STC)	2 nd - 25 th years



I-V Curves of PV module MS260P-60 at various solar irradiance



Maysun Solar FZCO Reserves the right of final interpretation. Specifications and designs included in this datasheet are subject to change without notice.

Maysun Solar FZCO
Address: No.FZS2AB01, Jebel Ali, Dubai, UAE
Website: www.maysunsolar.com

Maysun Solar 05-2017